



MF11506 ON B55

Features

- Only 21" (533 mm) wide.
- Produces up to 1,450 lbs (658 kg) of ice per day.
- SystemSafe load monitoring system constantly checks workload on gearbox - shutting down system before a problem develops and preventing costly repairs.
- Water sensor eliminates low or no water failures and cannot be affected by adverse water conditions.
- Rugged stainless steel evaporator and auger ensures reliability.
- Industrial-grade roller bearings and heavy-duty gearbox provide years of trouble-free service.

Options & Accessories

| WATER FILTERS | | | |
|-------------------|----------|-------------|--------|
| Ice Machine Model | Manifold | | Inline |
| | System | Replacement | System |
| MF11506 | IFQ2 | IOMQ (2) | N/A |

Ice Maker Warranty

Every Ice-O-Matic ice maker is backed by a warranty that provides both parts and labor coverage.

- Three years **Parts** and **Labor**.
- Five years **Parts** coverage on the compressor.

Ice Form



FLAKED ICE

Bin Chart *Kits for Combining Wider Bins with Smaller Models*

| ICE STORAGE BINS | | | | | | | | | | |
|------------------|------------------|------------------|------------------|------------------|------------------|-------------------|------------------|-------------------|-------------------|-------------------|
| Model No. | B25 | B40 | B42 | B55 | B700 | B1000 | B110 | B1300 | B1325 | B1600 |
| Capacity | 242 lbs (110 kg) | 344 lbs (156 kg) | 351 lbs (160 kg) | 510 lbs (232 kg) | 680 lbs (308 kg) | 1000 lbs (454 kg) | 854 lbs (388 kg) | 1320 lbs (599 kg) | 1325 lbs (601 kg) | 1660 lbs (753 kg) |
| Width | 30 in (762 mm) | 30 in (762 mm) | 22in (559 mm) | 30 in (762 mm) | 30 in (762 mm) | 30 in (762 mm) | 48 in (1219 mm) | 48 in (1219 mm) | 60 in (1524 mm) | 60 in (1524 mm) |
| Kits | MF11506 | KBT19 | | KBT24 | KBT19 | KBT23 | N/A | | | |
| | MF11506(2) | N/A | | | KBT22 | | N/A | | | |

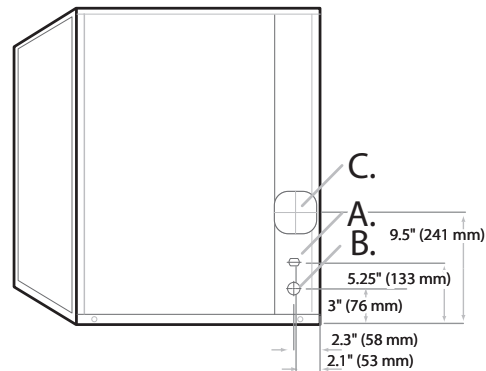
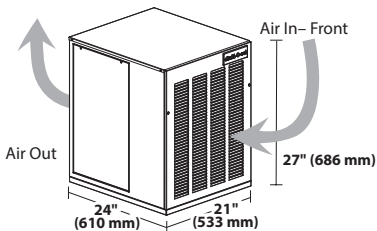
See Ice-O-Matic Price List for Adapter Kits to combine ice makers with most available ice/beverage dispensers.



Air Cooled

Please note: air-cooled units require 6" (152 mm) clearance for air intake and exhaust.

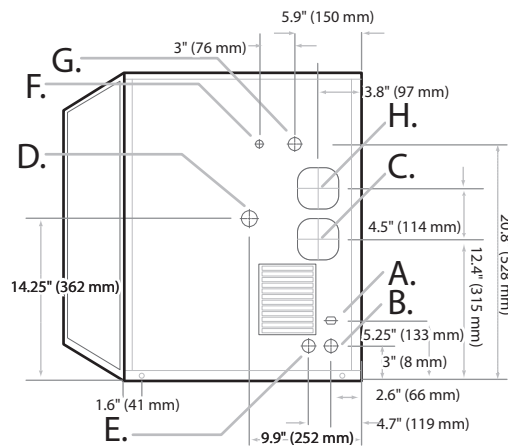
- A. Ice maker potable water in, 3/8" FPT.
- B. Ice maker water out, 3/4" FPT.
- C. Electrical inlet.



Rear View Air Cooled

Water Cooled/Remote

- A. Ice maker water in, 3/8" FPT.
- B. Ice maker water out, 3/4" FPT.
- C. Electrical inlet.
- D. Condenser water in, 3/8" (water cooled only).
- E. Condenser water out, 1/2" (water cooled only).
- F. Liquid line, 3/8" male coupling for precharged line set (remote only).
- G. Discharge line, 1/2" male coupling for precharged line set (remote only).
- H. Remote condenser junction box (remote only).



Rear View Water Cooled & Remote

Operating Requirements

| | MINIMUM | MAXIMUM |
|-------------------------|-------------------|--------------------|
| | | 60 Hz |
| Ambient Temp. Range Air | 50°F (10°C) | 100°F (38°C) |
| Water Temp. | 40°F (4.4°C) | |
| Water Pressure | 20 PSIG (1.4 BAR) | 120 PSIG (8.3 BAR) |

Dimensions

| ALL MODELS | |
|-----------------|-----------------|
| W x D x H (in.) | 21 x 24 x 27 |
| W x D x H (mm) | 533 x 610 x 686 |

Specifications

| Model Number | Cond. Unit | Ice Production per 24 hrs | | Water Usage gallons per 100 lbs of ice 90°F air/70°F water | | kWH Used per 100 lbs of ice @ 90°F air/70°F water | Voltage Characteristics | Min. Circuit Ampacity | Fuse Size | Approx. BTUs** per hour |
|--------------|------------|------------------------------|------------------------------|--|-----------|---|-------------------------|-----------------------|-----------|-------------------------|
| | | 70°F air/50°F water lbs (kg) | 90°F air/70°F water lbs (kg) | Potable | Condenser | | | | | |
| MFI1506A | Air | 1,450 (658) | 1,050 (476) | 12.0 | - | 3.5 | 208-230/60/1 | 15.8 | 20 | 8,100 |
| MFI1506R | Remote* | 1,390 (631) | 1,025 (465) | 12.0 | - | 3.7 | 208-230/60/1 | 17.4 | 20 | 8,100 |

*Requires RGA-1061-HM Remote Condenser with optional grill guard kit. When installing a modular MFI on a drink dispenser, the KGEMDISP MUST be used.

NOTES:

- Number of Wires: 3 (including ground)
- Approx. Shipping Weight lbs (kg): MFI1506 290 (132)
- Refrigerant Type: R404A

Daily ice production based on half cube configuration. Ice-O-Matic reserves the right to change the specifications at any time without obligation. Certifications may vary depending on country of origin.